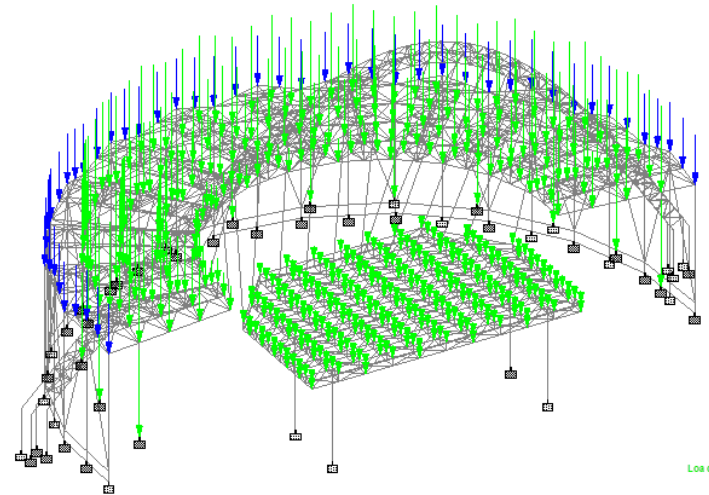
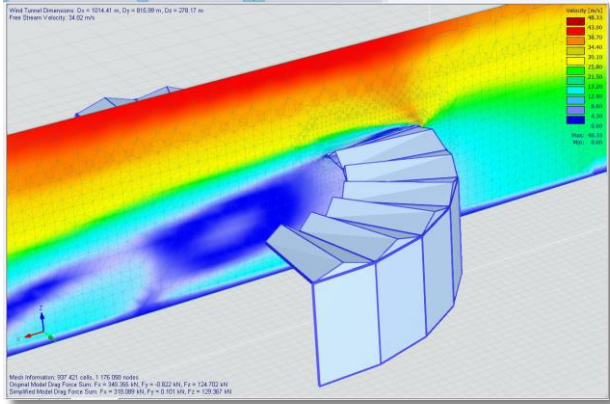
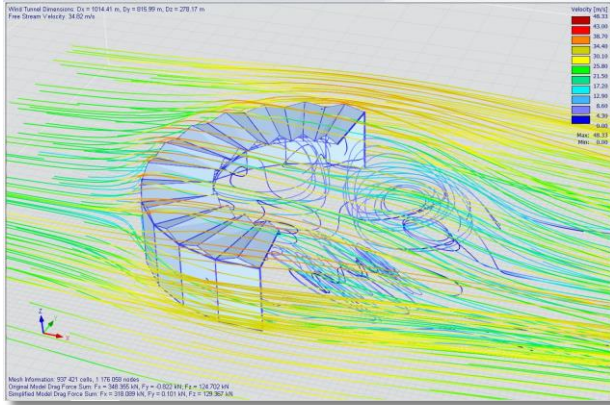


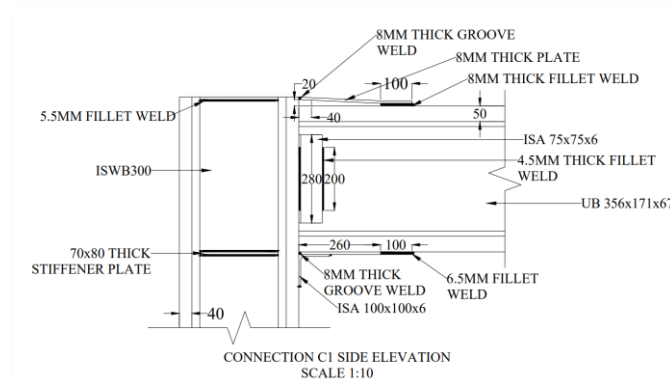
**Team BEings (E01) secured first position all over India in National Civil/Structural Engineering Students Award Competition: 2021 Conducted By: Institute for Steel Development & Growth (INSDAG) Theme: Iconic Steel Roof Structure Over An Open-Air Theatre & Stage Guiding Faculty: Dr. Sujit Kumar Dalui (Asst. Professor, Department of Civil Engineering, IEST, Shibpur)**



**AVISHEK DAS**  
(CIVIL ENGG. 4<sup>TH</sup> YEAR)



**SWAPNIL BASU**  
(CIVIL ENGG. 4<sup>TH</sup> YEAR)



**KOLUGURI VARENYA**  
(CIVIL ENGG. 3<sup>RD</sup> YEAR)



**SOMRAJ SEN**  
(CIVIL ENGG. 4<sup>TH</sup> YEAR)



# Institute for Steel Development & Growth



## Award Certificate

NATIONAL CIVIL/STRUCTURAL ENGINEERING STUDENTS AWARD COMPETITION  
FOR BEST INNOVATIVE STRUCTURAL STEEL DESIGN : 2021

*This is to certify that*

Shri/Smt. Avishek Das

Student of IIST, Shibpur, Howrah, West Bengal

has participated in the Competition

Jointly with Swapnil Basu, Somraj Sen, Koluguri Varenya

and obtained 1st position by displaying admirable creativity towards Innovativeness on the theme **Iconic Steel Roof Structure over An Open-Air Theatre & Stage** during the Final Evaluation Round during April 19-20, 2022.

Pradip Kumar Mishra  
Director General



# Institute for Steel Development & Growth



## Award Certificate

NATIONAL CIVIL/STRUCTURAL ENGINEERING STUDENTS AWARD COMPETITION  
FOR BEST INNOVATIVE STRUCTURAL STEEL DESIGN : 2021

*This is to certify that*

Shri/Smt. Swapnil Basu

Student of IIST, Shibpur, Howrah, West Bengal

has participated in the Competition

Jointly with Avishek Das, Somraj Sen, Koluguri Varenya

and obtained 1st position by displaying admirable creativity towards Innovativeness on the theme **Iconic Steel Roof Structure over An Open-Air Theatre & Stage** during the Final Evaluation Round during April 19-20, 2022.

Pradip Kumar Mishra  
Director General



# Institute for Steel Development & Growth



## Award Certificate

NATIONAL CIVIL/STRUCTURAL ENGINEERING STUDENTS AWARD COMPETITION  
FOR BEST INNOVATIVE STRUCTURAL STEEL DESIGN : 2021

*This is to certify that*

Shri/Smt. Koluguri Varenya

Student of IIST, Shibpur, Howrah, West Bengal

has participated in the Competition

Jointly with Avishek Das, Swapnil Basu, Somraj Sen

and obtained 1st position by displaying admirable creativity towards Innovativeness on the theme **Iconic Steel Roof Structure over An Open-Air Theatre & Stage** during the Final Evaluation Round during April 19-20, 2022.

Pradip Kumar Mishra  
Director General



# Institute for Steel Development & Growth



## Award Certificate

NATIONAL CIVIL/STRUCTURAL ENGINEERING STUDENTS AWARD COMPETITION  
FOR BEST INNOVATIVE STRUCTURAL STEEL DESIGN : 2021

*This is to certify that*

Shri/Smt. Somraj Sen

Student of IIST, Shibpur, Howrah, West Bengal

has participated in the Competition

Jointly with Avishek Das, Swapnil Basu, Koluguri Varenya

and obtained 1st position by displaying admirable creativity towards Innovativeness on the theme **Iconic Steel Roof Structure over An Open-Air Theatre & Stage** during the Final Evaluation Round during April 19-20, 2022.

Pradip Kumar Mishra  
Director General